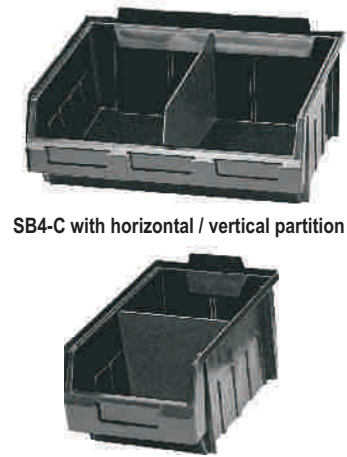


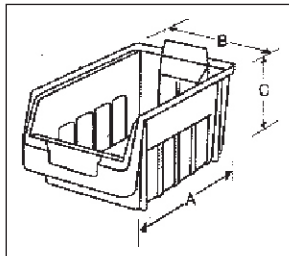
SUPRA BIN PARTITIONS



Horizontal partition for SB4-C & SB6-C
 Art No.: **HP SB4-C / HP SB6-C**
 Vertical partition for SB4-C & SB5-C
 Art No.: **VP SB4-C / VP SB5-C**
 Vertical partition for SB6-C Art No.: **VP SB6-C**
 Vertical partition for SB7-C Art No.: **VP SB7-C**

Supra Bins Dimensions in mm

| Art No. | A | B | C |
|---------|-----|-----|-----|
| SB1-C | 125 | 100 | 60 |
| SB2-C | 170 | 100 | 85 |
| SB3-C | 220 | 130 | 125 |
| SB4-C | 290 | 178 | 143 |
| SB5-C | 290 | 363 | 145 |
| SB6-C | 440 | 180 | 145 |
| SB7-C | 435 | 400 | 215 |



Made from Conductive Polypropylene. Strong rear lip for use with louvred panels. Strong heavy duty, with reinforced base side & stacking rim. Resistant to most industrial solvents, withstands higher temperatures. Clear access to contents. All bins with identification card holder slots. Incorporates a safety stop feature in SB 4-C, SB 5-C, SB 6-C, at the back for use in shelves. Colour - BLACK.

STACKING

Supra Bins are designed to be stacked one on top of each other.

LOUVRE PANELS

They are made from 1.5mm CRCA steel and are powder coated in grey colour. They come in four sizes. They can be fitted on walls or on stand on table with our special stands.

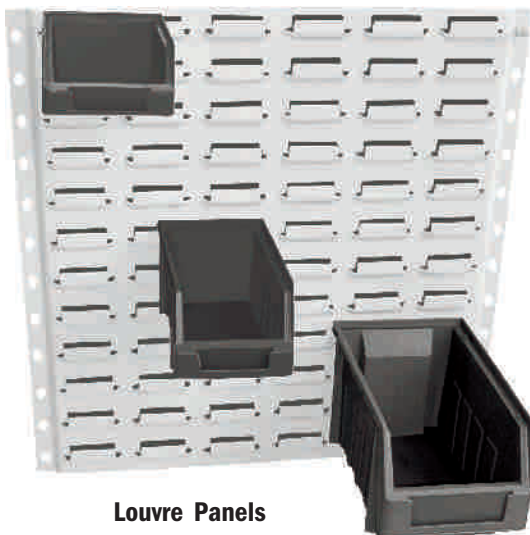
Art No.: **SBLP1** Size 457 mm X 457mm

Art No.: **SBLP2** Size 457mm X 610mm

Art No.: **SBLP3** Size 457mm X 915mm

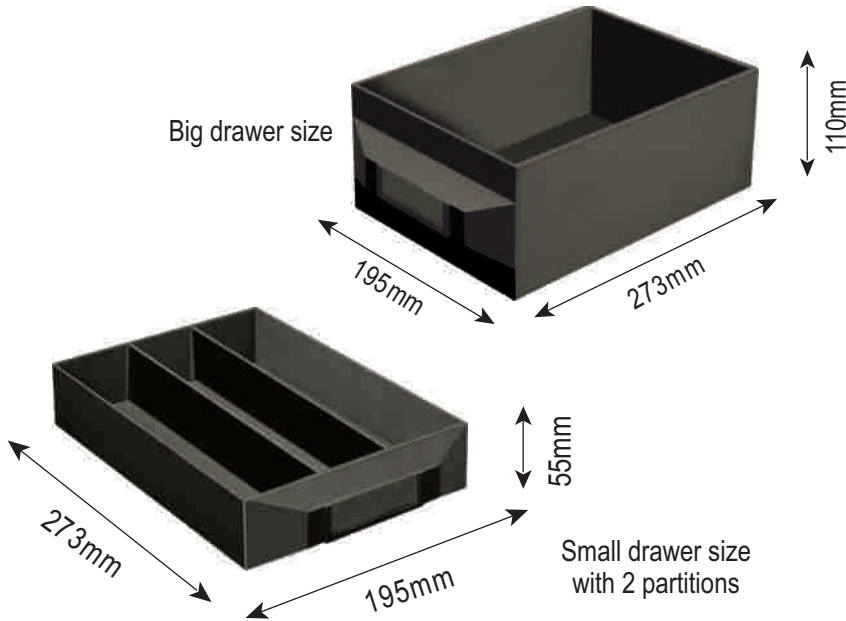
Art No.: **SBLP6** Size 457mm X 1830mm

Different Types of Stands & Trolleys are available.



Louvre Panels

USE ALL BOX CONDUCTIVE



6 nos. Of UC 6-C Containers can fit in one small drawer.

MULTIPURPOSE USE ALL BOX WITH ONE OR TWO DRAWERS

Cabinet : Black conductive Plastic
Size : 215 x 282 x 242

Drawers : Black conductive Plastic
Big Drawer : 195 x 273 x 110 mm
Small Drawer : 195 x 273 x 55 mm.

Multipurpose use all box cabinet can be interlocked both vertically and horizontally. Assemble cabinets from left to right and bottom to top.

ART No.: MUB-1 C with one big drawer

ART No.: MUB- 2 C with two small drawers.

ART No.: UC6-C Conductive Container.

Size : 90 x 95 x 45 mm

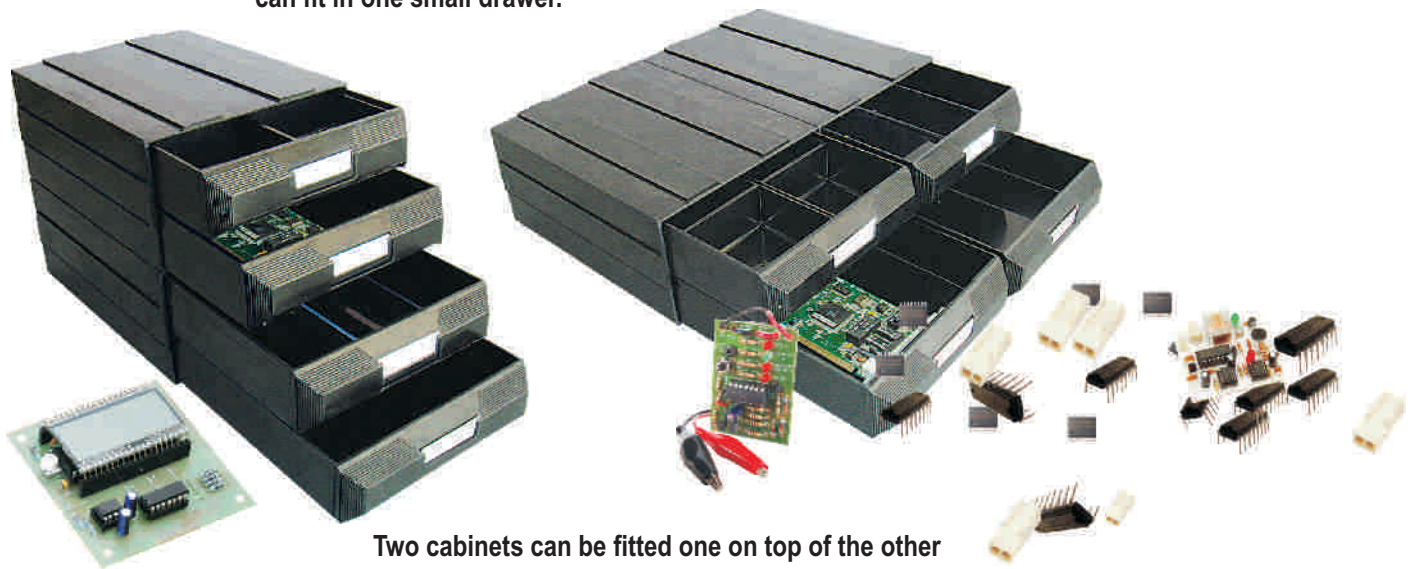
6Nos. UC 6-C Containers can fit in one small drawer.

Art No.: MUB-2 CP Vertical Partition.

Two Vertical Partition can fit in one small drawer in the slots provided.

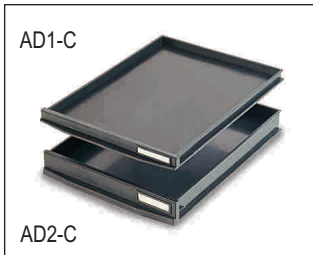
Non Conductive Use all box available :

Cabinet Grey colour. Drawers Transparent



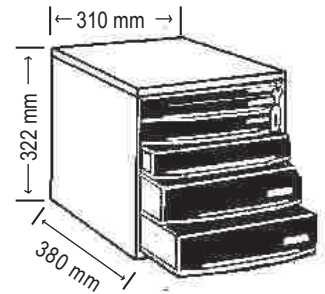
Two cabinets can be fitted one on top of the other or side by side as shown above.

ESD



SPECIAL STOPPERS

Special stopper is provided to stop the drawers when opened fully. To remove drawer from the cabinet lift the drawer up & remove from cabinet.



INTERNAL SIZE OF DRAWERS

AD1-C 360 mm x 265 mm x 16 mm
 AD2-C 360 mm x 265 mm x 39 mm
 AD3-C 360 mm x 265 mm x 62 mm
 AD4-C 360 mm x 265 mm x 87 mm
 AMS12-C Modular system with 12 AD1-C Drawers
 AMS6-C Modular system with 6 AD2-C Drawers
 AMS4-C Modular System with 4 AD3-C Drawers
 AMS3-C Modular System with 3 AD4-C Drawers

MIXED DRAWER SYSTEM

Modular System can be fitted with different size of drawers in the same cabinet. For example, One AD4-C drawers can be replaced by two AD2-C drawer or one AD1-C drawer and one AD3-C drawer

INDICATOR

Name plate can be changed by pushing out the paper from the indicator as shown.

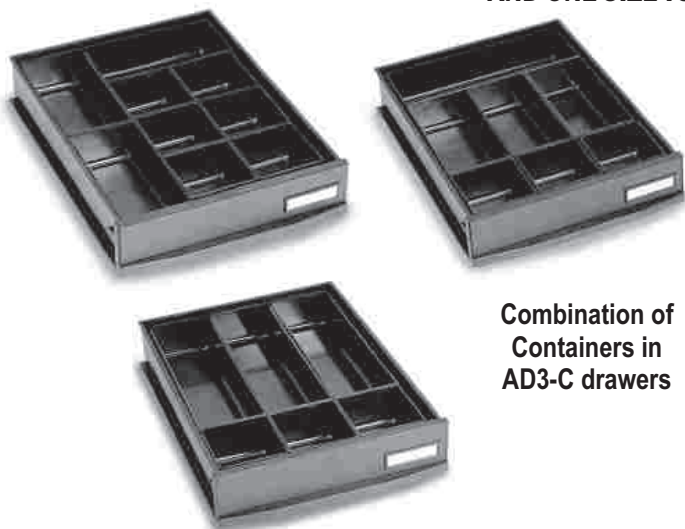
BASE UNIT

Base unit can be used with casters to make a mobile unit. One or more base unit can be used (Joined by set of four dowels provided) under the Modular system to raise the cabinet from the floor. Height of base unit is 35mm.

CENTRAL LOCKING SYSTEM

Is provided OPTIONALLY. Product numbers for cabinet with locks will be AMS12L-C, AMS6L-C, AMS4L-C etc.

CONDUCTIVE UTILITY CONTAINERS : FOR STORAGE OF SMALL PARTS THREE SIZES OF CONTAINER IN BLACK COLOUR ARE AVAILABLE TO FIT IN AD3-C DRAWERS AND ONE SIZE TO FIT IN AD2-C DRAWER



SIZES OF CONTAINERS :

- Art No. UC1-C** Size 82 x 82 x 55 mm
12 CONTAINERS FIT IN ONE AD3-C DRAWER
- Art No. UC2-C** Size 170 x 82 x 55 mm
6 CONTAINERS FIT IN ONE AD3-C DRAWER
- Art No. UC3-C** Size 255 x 82 x 55 mm
4 CONTAINERS FIT IN ONE AD3-C DRAWER
- Art No. UCD 2-C** Size 258 x 85 x 37 mm with 2 partition
6 CONTAINERS FIT IN ONE AD2-C DRAWER
- Art No. UC6-C** Size 95 x 90 x 45 mm
This container is designed to be used in USE ALL BOX



Modular system is an ideal storage system for Electrostatic sensitive devices based on standard modules which can be interlocked and stacked one on top of each other.

The basic system is around four drawer sizes which can be interchanged in the ratio of : 1 : 2: 3: 4.

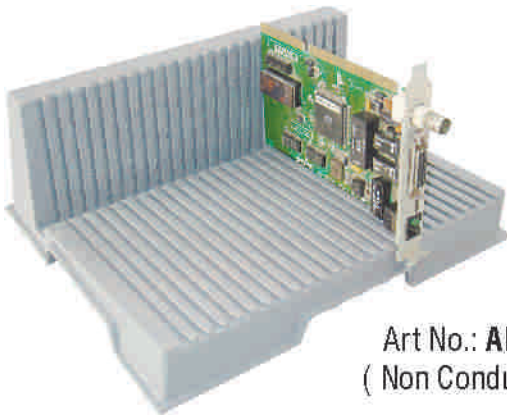
All cabinets can be supplied with / without central lock.



FIXED PCB CARRIERS - L TYPE



Art No.: **APCR 4 - C**
(Conductive Black)



Art No.: **AICR 4 - N**
(Non Conductive Grey)

It is a two side support PCB carrier of conductive or non conductive material for stronger card holding. Conductive PCB carrier are excellent PCB carrier for work benches. Easy to handle and does not occupy much space. Electrically conductive models are wholly earthed only by placing them on an earthed table.

- ▶ Holds boards on two contiguous edges.
- ▶ Nestable when not in use.
- ▶ Conductive PCB carrier in Black colour.
- ▶ Non conductive PCB carriers in Grey colour.
- ▶ Size : 207 x 273 x 95 mm.
- ▶ 25 grooves, 9mm Pitch, 3mm width.

CONDUCTIVE COMPONENT ORGANISER



Conductive Component Organiser

COMPONENT ORGANISER

Conductive Component Organiser provides systematic storage of electrostatic sensitive devices. It consists of a cabinet with 25 small drawers.

Size of Cabinet: 400mm x 250mm x 160mm

Size of the Drawers: 150mm x 75mm x 35mm.

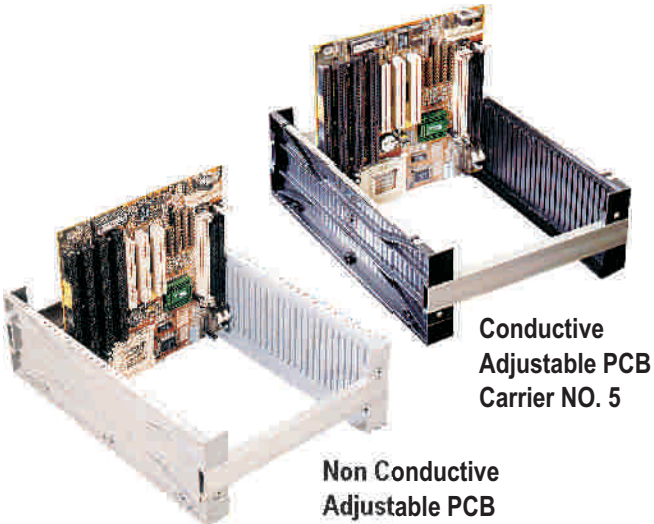
Non Conductive Component Organisers are also available

Art No.: **ACO 25 - C Conductive**

Art No.: **ACO 25 Nonconductive**

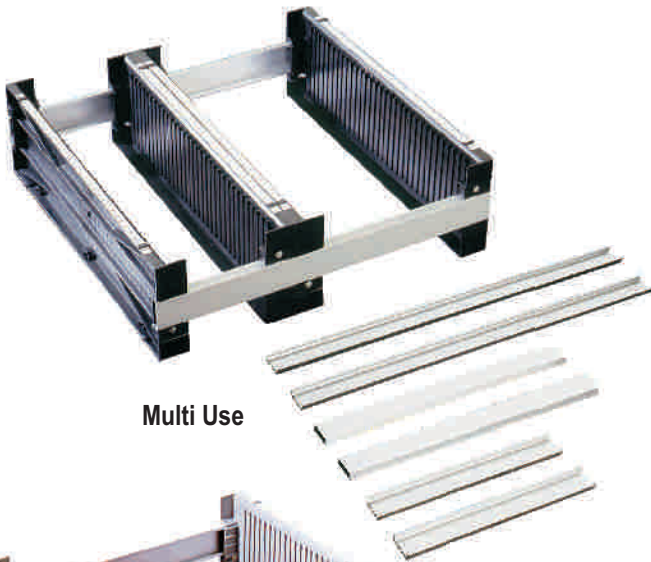


Alkon introduces a wide range of fixed and adjustable PCB Carriers to stack and store or transport your PCB's. They are the most modern designed carriers available. They are manufactured in both Conductive and Non-conductive plastic and can handle all sizes of PCB's.

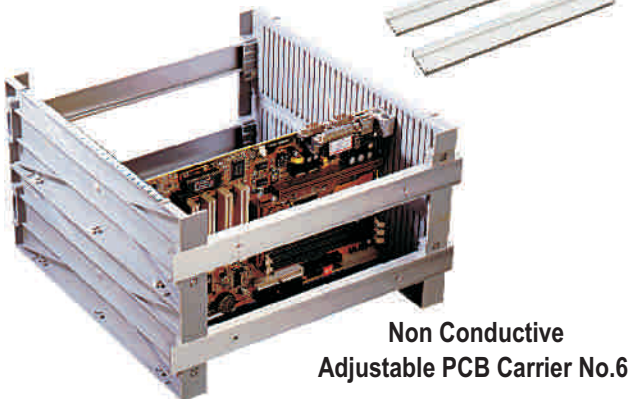


**Conductive
Adjustable PCB
Carrier NO. 5**

**Non Conductive
Adjustable PCB
Carrier NO.5**



Multi Use



**Non Conductive
Adjustable PCB Carrier No.6**

CONDUCTIVE AND NON CONDUCTIVE ADJUSTABLE PCB CARRIERS

ALKON adjustable PCB Carriers can be used for protection of boards during storage or transport in assembly line or integrate with automatic component insertion machines. They can be stacked one on each other. Each PCB Carrier has distinctly numbered on white background, 31 slots which can hold a maximum of 31 PCB's. Special Aluminium Guides have a unique design which remains Flush with PCB Carriers. They help in adjusting the width as per the Size of PCB,s Three lengths of aluminium guides are available i.e. 253 mm, 353mm and 553mm

ADJUSTABLE PCB CARRIER NO.: 5

Useful for small to medium Boards

Size of sides 350mm x 105mm

Use different size of Aluminium guides to make the configuration as per the size of PCB.

Conductive A djustable PCB Carrier NO.: 5

Set of 2 pcs. - Colour Black

Art No.: **APCR5 - C**

Non Conductive Adjustable PCB Carrier NO.: 5

Set of 2 pcs. - Colour Grey

Art No.: **APCR5 - N**

Order aluminium guides separately.

MULTI USE

Different sizes of PCB's can be fitted in two PCB Carriers as shown in the picture

ALUMINIUM GUIDES

Three Standard lengths Aluminium anodized guides are available Longer lengths useful for handling different sizes of PCB's are available on request.

LENGTH

253 mm Set of 2 pcs. Art No.: **APCRG -2**

353 mm Set of 2 pcs. Art No.: **APCRG -3**

553 mm Set of 2 pcs. Art No.: **APCRG -5**

ADJUSTABLE PCB CARRIER NO.: 6

Useful for medium sized Boards

Size of sides 350 mm x 210 mm

2 Sets of Aluminium guides are required for Carrier No. 6

Conductive Adjustable PCB Carrier No.: 6

Set of 2 pcs. - Colour Black .

Art No.: **APCR6 - C**

Non Conductive Adjustable PCB Carrier No.: 6

Set of 2 pcs. - Colour Grey .

Art No.: **APCR6 - N**

Order Aluminium guides separately.



Art No.: AWS12060



Art No.: AWS12060 SP

Today's electronic manufacturers need a workstation designed to help reduce harmful discharges from reaching vulnerable parts and assemblies. Part of the overall solution is to have a workstation designed with the proper grounding system to dissipate any charge away from the product you're producing. Our custom made workstations are designed to withstand the toughest of environments, allow total flexibility for future upgrades and meet your organization's ESD needs.

Available in Standard size

| MODEL NO. | SIZE |
|--------------|---|
| AWS 12060 | Table Top Size 1200mm X 600mm over all height 1800mm |
| AWS 12060 SP | Table Top Size 1200mm X 600mm over all height 1500mm |

Standard Features

- ▶ Workstation structure made from 20 x 40mm rectangular pipes of 18 Gauge.
- ▶ Available in powder coated grey colour.
- ▶ ESD Mat for table top with grounding cord.
- ▶ Universal spike protector 230V / 50Hz, 15 Amps with four sockets.
- ▶ Four conductive leveling screws for base with height adjustment facility.
- ▶ Foot rest for user convenience

Optional Accessories

- ▶ 28 W flicker free swivel Light.
- ▶ Louver panel.
- ▶ Conductive Bins as required.
- ▶ Writing & Felt Board as per requirement.
- ▶ Tool Tray with option of fitting on Left or Right side.
- ▶ Modular System with lock. 1 No. as per image above.

Work Station for Non ESD application also available

Special sizes available on request.

CONDUCTIVE PANDA SHELVING BINS



MADE FROM CONDUCTIVE POLYPROPYLENE

- ▶ Designed to fit roll post shelving systems.
- ▶ Five standard bin sizes to suit 400 mm deep shelving.
- ▶ Integral back stop for clear viewing of PANDA BIN contents.
- ▶ Dividers are notched to ensure positive location within the bins.
- ▶ PANDA BINS feature a small handle to allow maximum area of the front face for sticking identification labels.
- ▶ The PANDA BINS use a unique design for added strength.

BIN DIMENSIONS

| SR NO. | ART NO. | Outer Dimensions | | | Inner Dimensions | | | No. Of Dividers with each bin | Effective Height | Std. Pack |
|--------|-----------------|------------------|-------|--------|------------------|-------|--------|-------------------------------|------------------|-----------|
| | | Length | Width | Height | Length | Width | Height | | | |
| 1. | PSB-401C | 415 | 100 | 60 | 393 | 86 | 55 | 3 | 55 | 24 |
| 2. | PSB-402C | 415 | 100 | 110 | 393 | 86 | 105 | 2 | 105 | 24 |
| 3. | PSB-403C | 415 | 150 | 110 | 393 | 136 | 105 | 2 | 105 | 12 |
| 4. | PSB-404C | 415 | 220 | 135 | 393 | 210 | 130 | 2 | 130 | 12 |
| 5. | PSB-405C | 415 | 300 | 135 | 393 | 282 | 130 | 2 | 130 | 6 |

All dimensions in mm Approx



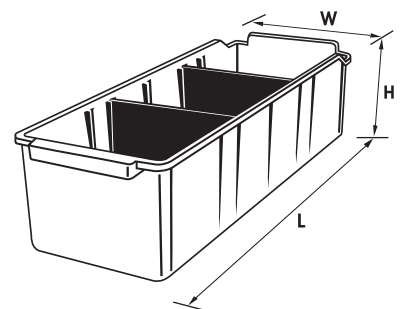
Roll Post Shelving System



Integral back stop allows viewing of contents



Snap-in Divider Fitted in PANDA SHELF BIN





ASU 22C

SHELVING UNIT SIZE

| Height | Width | Depth |
|---------|--------|--------|
| 1875 mm | 900 mm | 400 mm |

ASU 23C

SHELVING UNIT SIZE

| Height | Width | Depth |
|---------|--------|--------|
| 1875 mm | 900 mm | 400 mm |

ASU 24C

SHELVING UNIT SIZE

| Height | Width | Depth |
|---------|--------|--------|
| 1875 mm | 900 mm | 400 mm |

ASU 25C

SHELVING UNIT SIZE

| Height | Width | Depth |
|---------|--------|--------|
| 1875 mm | 900 mm | 400 mm |



ASU 22C Shelving Unit Consists of

- ▶ 1 Set of ASUB 184C Shelving Body
- ▶ 13 Nos. Shelves - Art No.: ASUS 400C
- ▶ 9 Nos. PSB-402C Bins on each shelf
- ▶ Total 108 Nos. PSB-402C Bins



ASU 23C Shelving Unit Consists of

- ▶ 1 Set of ASUB -184C Shelving Body
- ▶ 13 Nos. Shelves - Art No.: ASUS- 400C
- ▶ 6 Nos. PSB-403C Bins on each shelf
- ▶ Total 72 Nos. PSB-403C Bins



ASU 24C Shelving Unit Consists of

- ▶ 1 Set of ASUB 184C Shelving Body
- ▶ 11 Nos. Shelves - Art No.: ASUS 400C
- ▶ 4 Nos. PSB-404C Bins on each shelf
- ▶ Total 40 Nos. PSB-404C Bins



ASU 25C Shelving Unit Consists of

- ▶ 1 Set of ASUB 184C Shelving Body
- ▶ 11 Nos. Shelves - Art No.: ASUS 400C
- ▶ 3 Nos. PSB-405C Bins on each shelf
- ▶ Total 30 Nos. PSB-405C Bins



PSB-402C BIN SIZE

| Length | Width | Height |
|--------|--------|--------|
| 415 mm | 100 mm | 110 mm |



PSB-403C BIN SIZE

| Length | Width | Height |
|--------|--------|--------|
| 415 mm | 150 mm | 110 mm |



PSB-404C BIN SIZE

| Length | Width | Height |
|--------|--------|--------|
| 415 mm | 220 mm | 135 mm |



PSB-405C BIN SIZE

| Length | Width | Height |
|--------|--------|--------|
| 415 mm | 300 mm | 135 mm |